

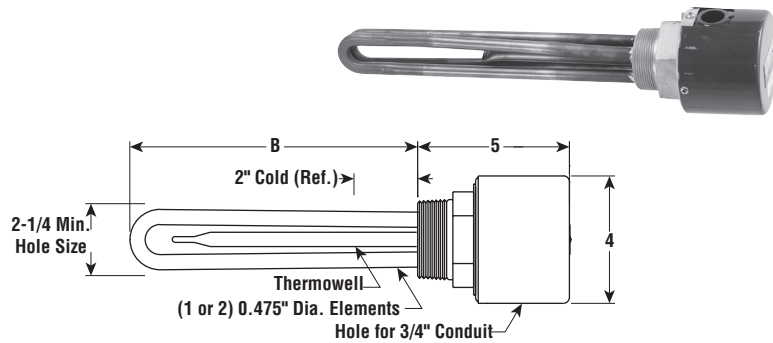
Immersion

MT-2

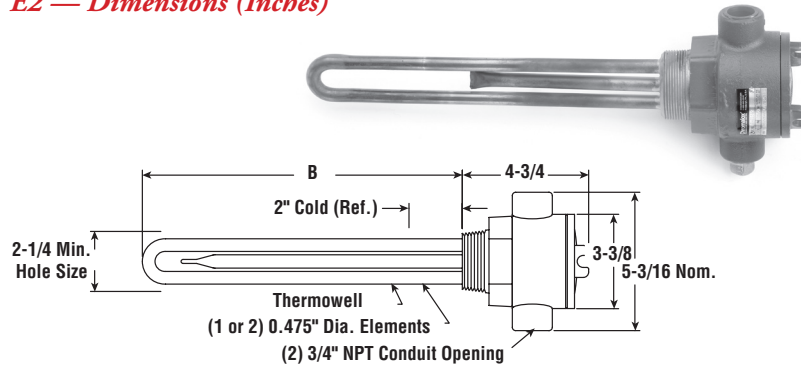
Clean Water Applications (cont'd.)

- 2" NPT Brass Screw Plug
- Copper Sheath Elements
- High Watt Density (46 - 53 W/In²)
- 1.5 - 15 kW
- Without Thermostat
- 120, 208, 240 and 480 Volt, Single Phase
- General Purpose, Moisture Resistant/Explosion Resistant Terminal Enclosure or Moisture Resistant

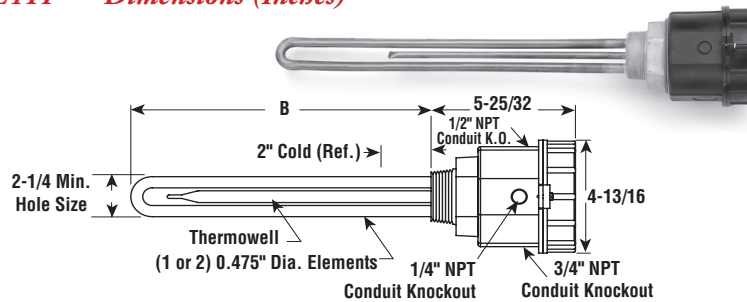
E1 — Dimensions (Inches)



E2 — Dimensions (Inches)



E4TP — Dimensions (Inches)



Specifications and Ordering Information

						E1 General Purpose ¹				E2 Moisture Resistant/ Explosion Resistant ²				E4 Moisture Resistant			
kW	Volts	Phase	W/In ²	No. Elem.	DIM B (In.)	Model	Stock	PCN	Wt. (Lbs.)	Model	Stock	PCN	Wt. (Lbs.)	Model	Stock	PCN	Wt. (Lbs.)
6	240	1	47	2	25-1/8	MT-260A	S	139660	5	MT-260E2	NS	288382	8	MT-260E4TP	NS	062447	5
6	480	1	47	2	25-1/8	MT-260A	S	139678	5	MT-260E2	NS	295390	8	MT-260E4TP	NS	062455	5
6	208	1	47	2	25-1/8	MT-260A	NS	295179	5	MT-260E2	NS	288187	8	MT-260E4TP	NS	062463	5
7	240	1	49	2	28	MT-270A	S	139686	6	MT-270E2	NS	288403	9	MT-270E4TP	NS	062471	6
7	480	1	49	2	28	MT-270A	S	139694	6	MT-270E2	S	288411	9	MT-270E4TP	NS	062480	6
10	240	1	46	2	40-1/2	MT-2100A	S	139707	7	MT-2100E2	NS	288420	10	MT-2100E4TP	NS	062084	7
10	480	1	46	2	40-1/2	MT-2100A	S	139715	7	MT-2100E2	NS	288438	10	MT-2100E4TP	NS	062092	7
10	208	1	46	2	40-1/2	MT-2100A	NS	295195	7	MT-2100E2	NS	295208	10	MT-2100E4TP	NS	062105	7
12	240	1	46	2	48	MT-2120A*	NS	295232	8	MT-2120E2*	NS	295240	11	MT-2120E4TP*	NS	062121	8
12	480	1	46	2	48	MT-2120A	NS	295259	8	MT-2120E2	NS	295267	11	MT-2120E4TP*	NS	062130	8
12	208	1	46	2	48	MT-2120A*	NS	295216	8	MT-2120E2*	NS	295224	11	MT-2120E4TP	NS	062113	8
15	240	1	50	2	54	MT-2150A*	NS	295312	9	MT-2150E2*	NS	295339	12	MT-2150E4TP*	NS	062148	9
15	480	1	50	2	54	MT-2150A	NS	295320	9	MT-2150E2	NS	295347	12	MT-2150E4TP	NS	062156	9

To Order—Specify model, volts, phase, kW, PCN and quantity.

1. Heaters with General Purpose Enclosures are UL Listed and CSA Certified except Models with *(Exceeds 48 Amps).
2. Heaters with Moisture Resistant/Explosion Resistant Enclosures are cCSA_{US}® Certified except Models with *(Exceeds 48 Amps).

FASTShip[®]

Same-day shipping on stock item orders received before 4 pm CST. 3-day shipping on assembly-stock items.